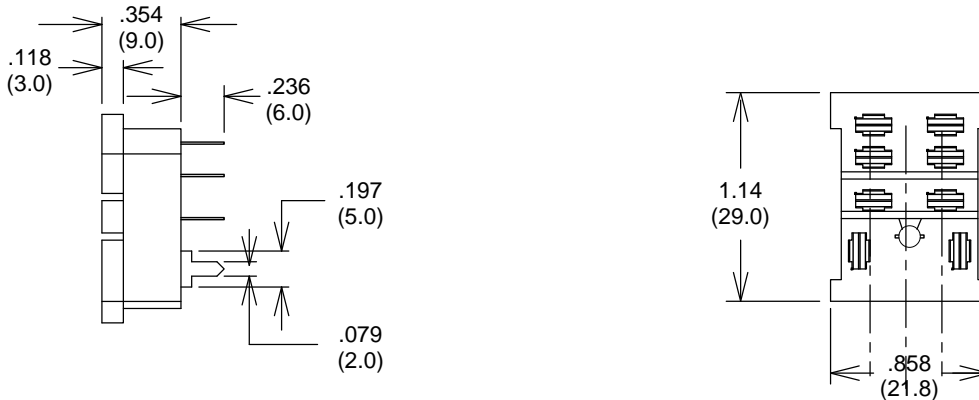


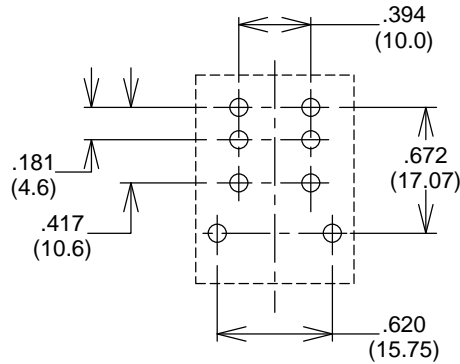
8 Pin Midget Socket for PCB Mounting

**SC113-2C-PCB**

For Use With The PC113 Relay  
Dimensions in inches (MM)

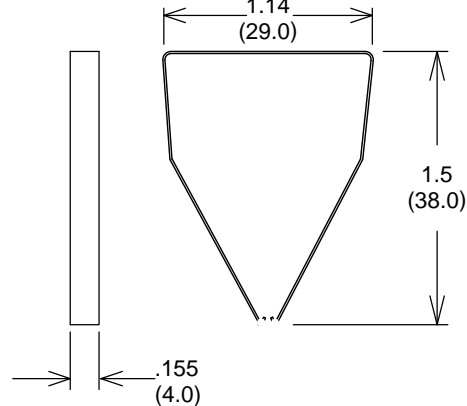


**PC Board Layout**



Recommended PC board hole Dia .100 in (2.5mm)

**Hold Down Clip**



**Notes**

- Hold down clip included with each socket
- Recommended PC board hole Dia .100 in (2.5mm)
- Tolerances  $\pm .010$  unless otherwise noted