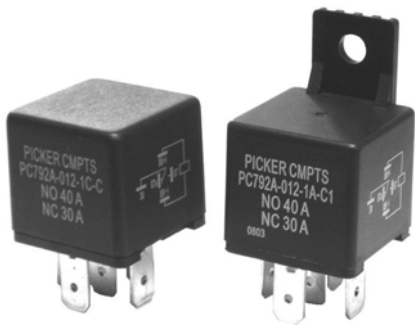


40/30 Amp Automotive Plug-In / PCB Power Relay

PC792A



FEATURES

- Most popular automotive relay
- 1 A, 1AA, 1 C & 1U contact forms available
- Contact switching capacity up to 120 Amps
- 40 Amps continuous carrying capacity
- Up to 125 degrees C operating temperature
- Internal diodes or resistors available
- Sockets available from Picker Components
- **Now available Lead Free & RoHS Compliant**

CONTACT RATINGS

Contact Form	1 Form A or 1 Form C	
	Normally Open	Normally Closed
Max Switching Current	Make 80 Amps	Make 35 Amps
	Break 40 Amps	Break 30 Amps
Max. Continuous Current	60 Amps (at 20 degrees C)	40 Amps (at 20 degrees C)
	40 Amps (at 85 degrees C)	30 Amps (at 85 degrees C)
Max. Continuous Current 1 Form U and 1 Form AA	2 X 30 Amps (at 20 degrees C) 2 X 25 Amps (at 85 degrees C)	
Max. Switching Voltage	75 VDC	
Minimum Load	0.1 A @ 12 VDC	

CONTACT DATA

Material		AgSnInO (Silver Tin Indium Oxide)
Initial Contact Resistance		100 milliohms max @ 0.1A, 6VDC
Service Life	Mechanical	1 X 10 ⁷ Operations
	Electrical	1 X 10 ⁵ Operations

CHARACTERISTICS

Operate Time	7 ms. typical
Release Time	5 ms. typical
Insulation Resistance	100 megohms min, at 500VDC, 50%RH
Dielectric Strength	500 Vrms, 1 min. between coil and contacts
Shock Resistance	20 g, 11ms, functional; 200 g, destructive
Vibration Resistance	DA 1.27 mm, 10 - 40 Hz; 40-70 Hz: 5 g; DA 0.5mm, 70-100 Hz; 100-500 Hz: 10 g.
Drop Resistance	1 Meter height drop on concrete in final enclosure
Power Consumption	1.6 W approx.
Ambient Temperature Range	-40 to 125 degrees C operating
Weight	34 grams approx.

ORDERING INFORMATION

Example:	PC792A	-1C	-C1	-12	S	-RN	-X
Model							
Contact Form	1A, 1AA (1 form A with 2 #87 Terminals) 1C or 1U (2 X 1A, 87 & 87b isolated)						
Case Style	C: Plug-In; P: PCB; C1: Plastic Bracket; C2: Metal Bkt						
Coil Voltage							
Enclosure:	C: Dust Cover, S: Sealed case K: Skirted Case, W: Weatherproof Case						
Parallel Component	Nil: None; D: Diode; R: Resistor; N: Nickle Plated Terminals						
RoHS Compliant:	Nil: Not RohS, -X: RoHS Compliant						

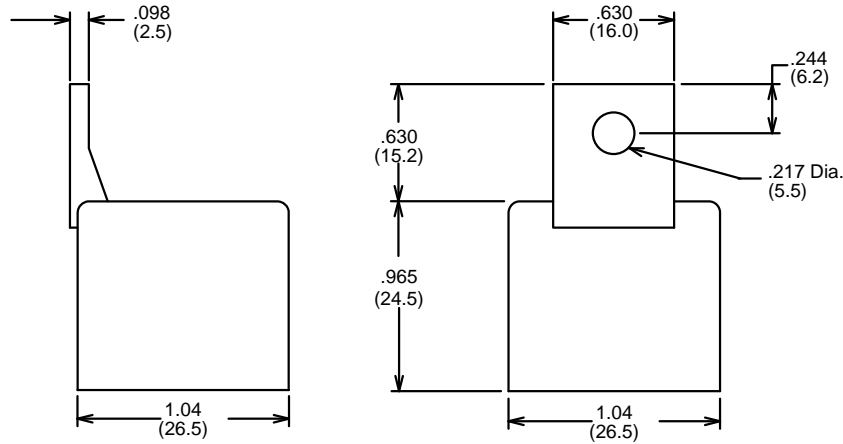
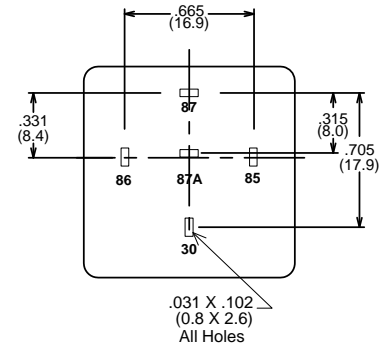
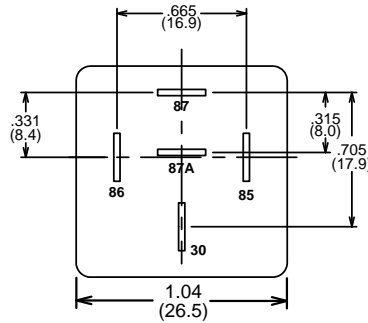
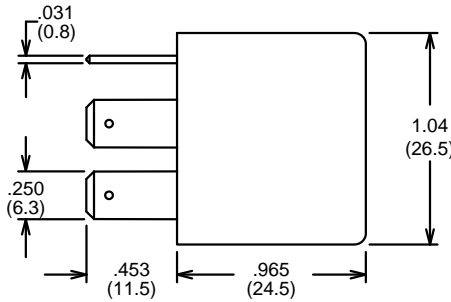
COIL DATA

Coil Voltage Code	Resistance ohms ± 10%	Must Operate Voltage Max. (VDC)	Must Release Voltage Min. (VDC)	Continuous Voltage Max. (VDC)
06	22.5	3.9	0.9	10.1
12	90	7.8	1.8	20.5
24	360	15.6	3.6	39.1

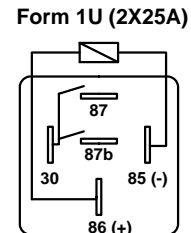
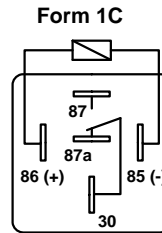
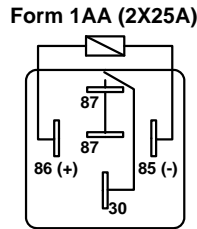
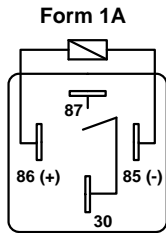
**Plug-In Type
Plug-In Case (C) and PCB Case (P)**

Dimensions in Inches (millimeters)

**Bottom View
PC Board Layout**



Molded Plastic Bracket (C1)



Wiring Diagrams

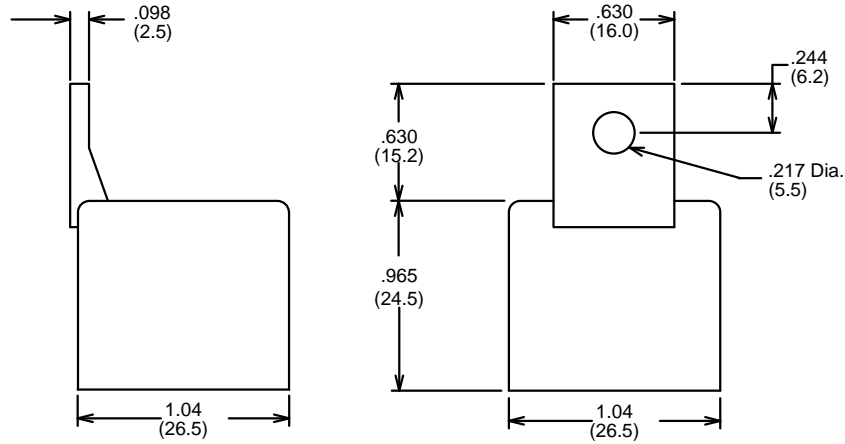
Notes:
Contact Forms 1A, 1AA, 1C & 1U shown
On Contact Form A Pin 87a is Omitted
Tolerances ± .010 unless otherwise noted

CAUTION on Form 1U
Terminals 30 & 86 Reversed

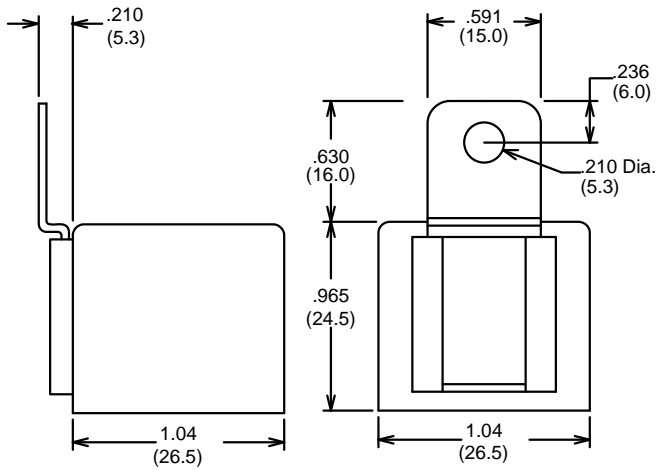


3220 Commander Drive, Suite 102, Carrollton, Texas 75006

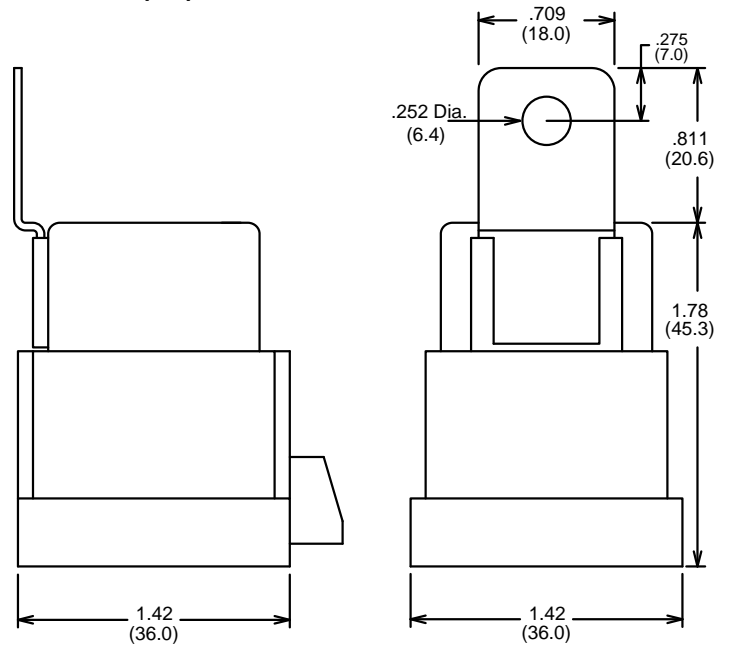
Sales: Call Toll Free (888) 997-3933 Fax (818) 342-5296 email: pickerwest@sbcglobal.net URL: pickercomponents.com



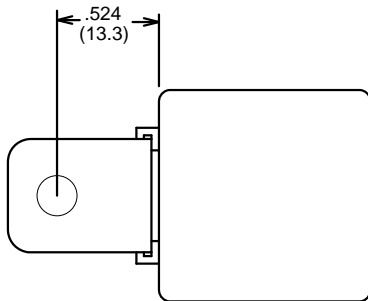
Molded Plastic Bracket (C1)



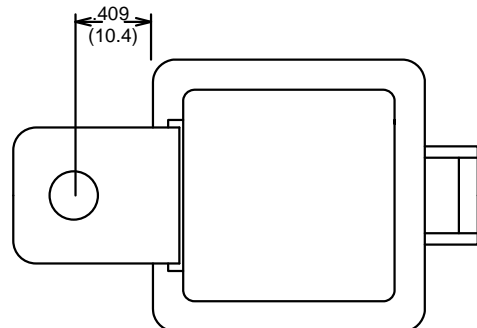
Metal Bracket (C2)



Skirted Case with Metal Bracket (C3)



Bent Metal Bracket (C4)



Skirted Case with Bent Metal Bracket (C5)



3220 Commander Drive, Suite 102, Carrollton, Texas 75006

Sales: Call Toll Free (888) 997-3933 Fax (818) 342-5296 email: pickerwest@sbcglobal.net URL: pickercomponents.com