

## 35 Amp Automotive Plug-In Power Relay

## PC785



### FEATURES

- ISO 280 footprint
- 1 A & 1C contact forms available
- Contact switching capacity 40 Amps
- 35 Amps continuous carrying capacity
- Up to 125 degrees C operating temperature
- Internal diodes or resistors available
- **Now available Lead Free & RoHS Compliant**

### CONTACT RATINGS

Contact Form	1 Form A or 1 Form C	
	Normally Open	Normally Closed
Max Switching Current	40 Amps	30 Amps
Max. Continuous Current	35 Amps	25 Amps
Max Switching Power	560 Watts	
Contact Resistance or Voltage Drop	100 mOhms less than 100mV (Item 3.12 IEC255-7)	
Max. Switching Voltage	75 VDC	
Minimum Load	0.1 A @ 12 VDC	

### CONTACT DATA

Material		AgSnInO (Silver Tin Indium Oxide)
Initial Contact Resistance		100 milliohms max @ 0.1A, 6VDC
Service Life	Mechanical	1 X 10 <sup>7</sup> Operations
	Electrical	1 X 10 <sup>5</sup> Operations

### CHARACTERISTICS

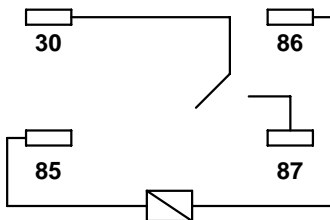
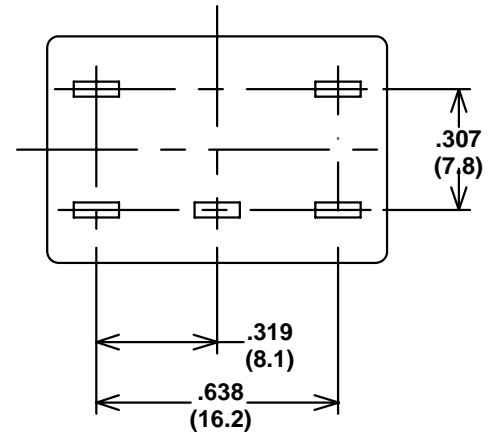
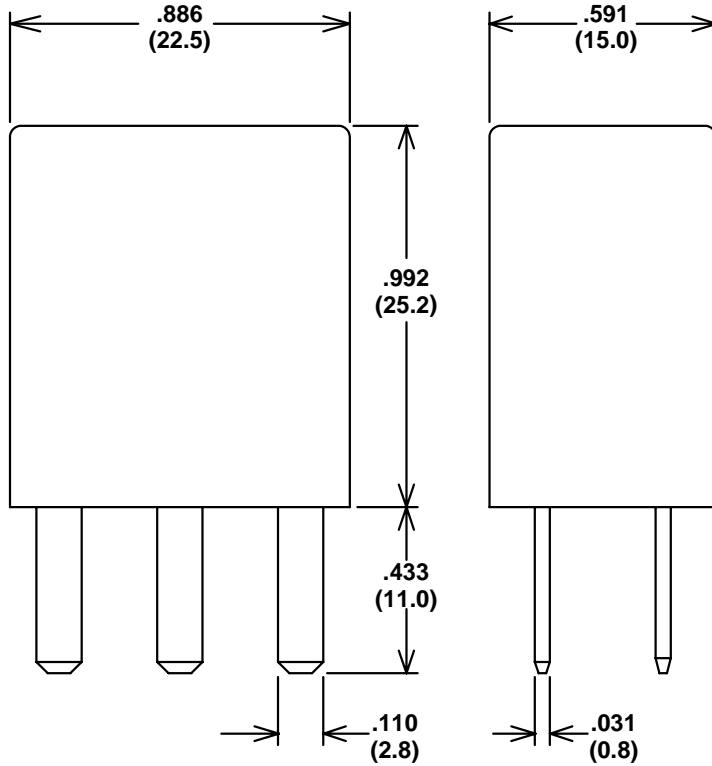
Operate Time	5 ms. or less (without coil suppression)
Release Time	2 ms. or less (without coil suppression)
Insulation Resistance	100 megohms min, at 500VDC, 50%RH (Item 7 of IEC255-5)
Dielectric Strength	500 Vrms, 1 min. between coil and contacts (Item 6 of IEC255-5)
Shock Resistance	200m/ss 11ms (IEC-2-27 Test Ea)
Vibration Resistance	DA 1.27 mm, 10 - 40 Hz; 40-70 Hz: 5 g; DA 0.5mm, 70-100 Hz; 100-500 Hz: 10 g.
Drop Resistance	1 Meter height drop on concrete in final enclosure
Power Consumption	1.3W approx.
Ambient Temperature Range	-40 to 125 degrees C operating
Weight	21 grams approx.

### ORDERING INFORMATION

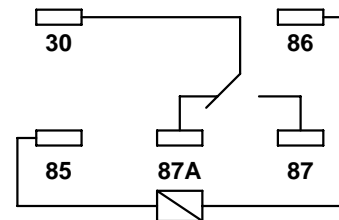
Example:	PC785	-1C	-12	C	-R	-X
Model						
Contact Form						
1A or 1C						
Coil Voltage						
Enclosure: C: Dust Cover, S: Sealed (Avail 2008)						
Parallel Component						
Nil: None; D: Diode; R: Resistor						
RoHS Compliant: Nil: Not RohS, -X: RoHS Compliant						

COIL DATA

Coil Voltage	Resistance ohms ± 10%	Must Operate Voltage Max. (VDC)	Must Release Voltage Min. (VDC)	Continuous Voltage Max. (VDC)
6	27	3.6	0.6	8.0
12	109	7.2	1.2	16.0
24	436	14.4	2.4	32.0



Form 1A



Form 1C

Wiring Diagrams

Notes:  
 Contact Forms 1A & 1C shown  
 On Contact Form A Pin 87a is Omitted  
 Tolerances ± .010 unless otherwise noted



3220 Commander Drive, Suite 102, Carrollton, Texas 75006

Sales: Call Toll Free (888) 997-3933 Fax (818) 342-5296 email: pickerwest@sbcglobal.net URL: pickercomponents.com